

# Assembly Manual

Folding Desk  
DAM6008.100050



Please read this manual carefully before any operation and keep it properly for future use. If you have any problems on our product, please feel free to contact us

## Warning:



Keep packaging material and hardwares away from the reach of children and pets.

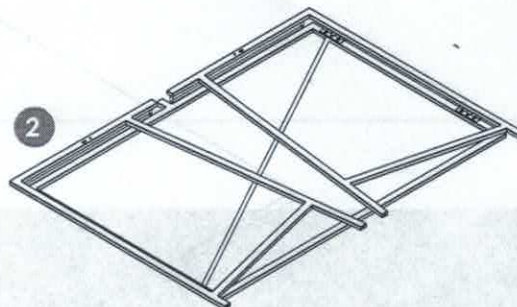
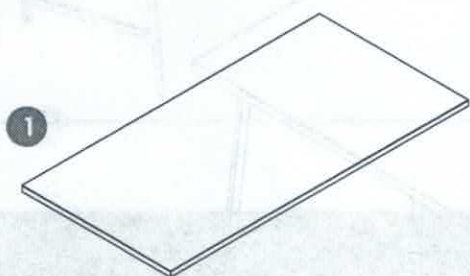
## Components List

**10** min

Assembly Time



Two People



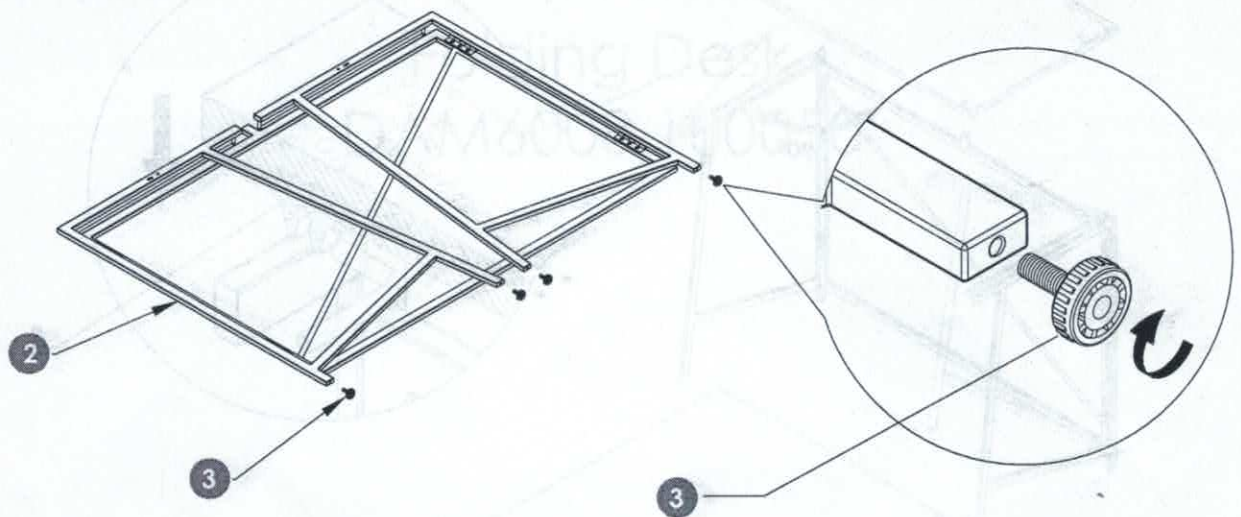
No.	Component	PCS
1	Desktop Board	1
2	Frame	1
3	Adjusting leg	4
4	Hook	1

No.	Component	PCS
A	Screw(M6*8)	12+2
B	Plastic parts	6+1
C	Allen Key(4mm)	1

# Assembly Instruction

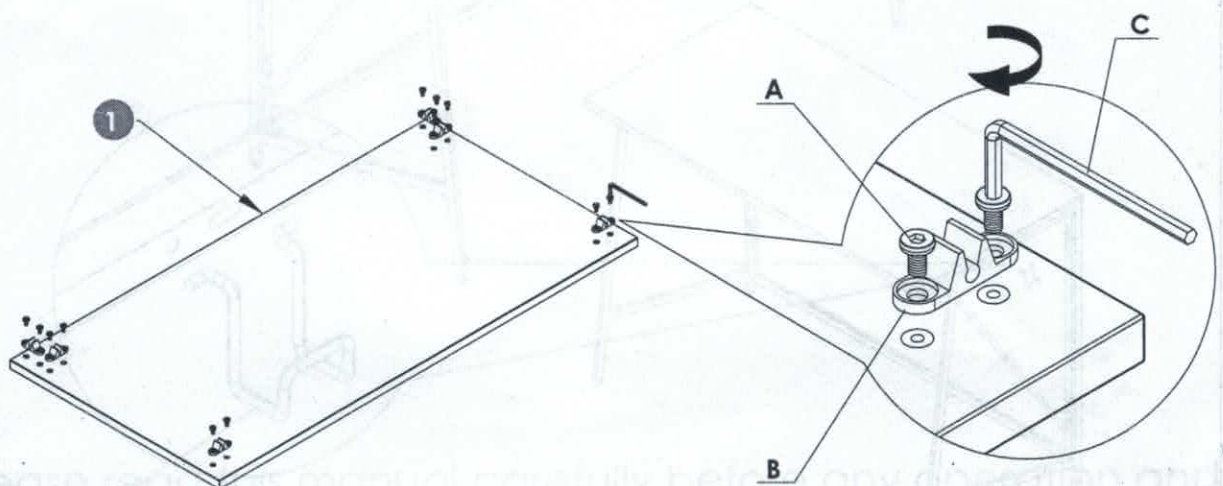
## STEP 1

Install the adjusting legs. If the shelf is not stable, please rotate the adjusting legs to make them even.



## STEP 2

Attach the plastic parts to the backside of desktop board.

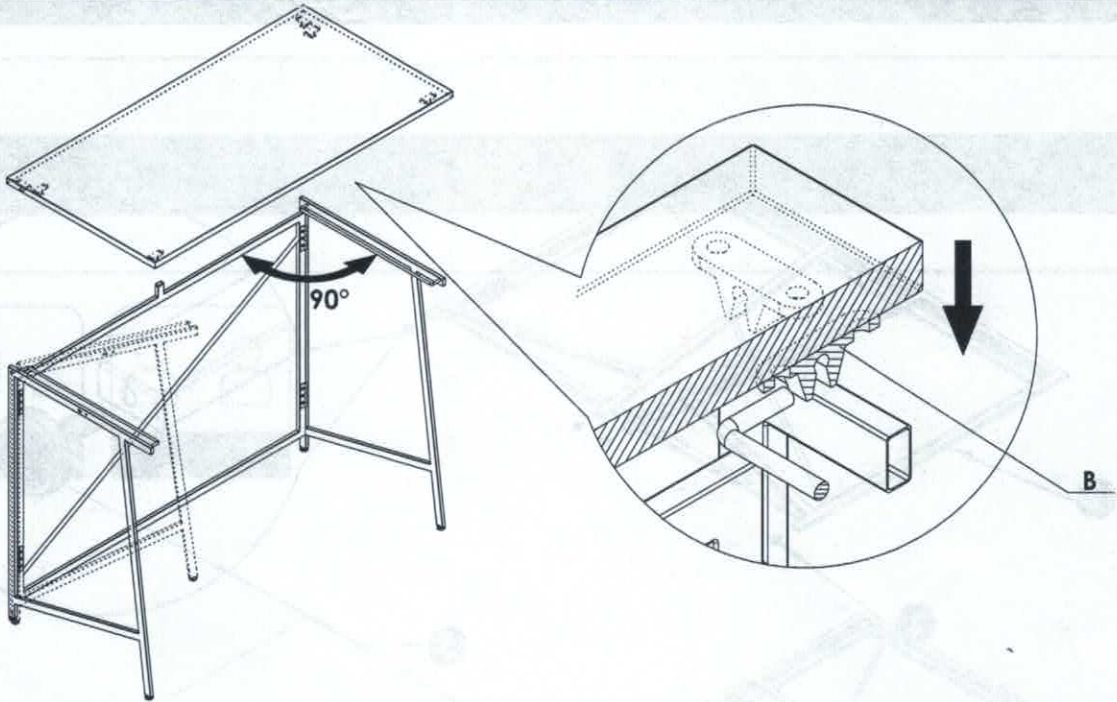


Please read this manual carefully before any operation and keep it properly for future use. If you have any problems on our product, please feel free to contact us.

## Assembly Instruction

### STEP 3

Open the frame and click on the shelf boards with plastic parts. Make sure the rod is just in the slot of the plastic parts and push the desktop board hard to secure.



### STEP 4

Squeeze the hook and put it into the hole. And then release it to finish the assembly of the hook.

